

BRIGADIER Series LED



PROJECT NAME	
CATALOG #	
NOTES	

FEATURES

- > Available in 40W, 60W, 80W, 100W, 150W, 200W
- > Optional stainless steel guard
- > Wildlife Friendly for coastal areas.
- > 1-10V dimmable and DALI control optional.
- > IP66 and IK08 double protection, with super reliability
- > Input Voltage: AC120-277V, AC277-480V (50/60Hz)
- > Pendant, Ceiling, Wall, Trunnion, 25° Stanchion and 90° Stanchion mounting options
- > Warm White-Cool White options 2000K - 6500K
- > Colored LED available: R/G/B/AMBER options
- > Type I, III and V light distribution options
- > The max operating ambient temperature range: -40°C to 65°C Flip-type structure for easy access to internal components provides up to 1,350lm illumination for 90 minutes of emergency lighting
- > Well-organized terminal block, the ceiling mounting, bracket mounting and wall mounting are equipped with four conduit holes.
- > Easy wiring with self-locking spring terminals.
- > Equipped with low copper aluminum alloy body and special powder coating, as well as stainless steel components with special anti-corrosion treatment make it suitable for marine environments for over 10 years.
- > LED chips are separated from the driver cavity, ensures good heat dissipation and longer service life.

CERTIFICATIONS AND LISTINGS UL:

- > Class I, Division 2, Groups A, B, C, D
- > Class II, Division 1, Groups E, F, G
- > Class II, Division 2, Groups F, G
- > Class III
- > NEMA 4X
- > UL 1598 - Wet Locations || UL 1598A - Marine || UL 8750 - LED Safety || UL 844 - Hazardous Locations CSA Standard || UL924 - Emergency Lighting
- > CSA C22.2 No. 137
- > CSA C22.2 No. 250.0
- > CSA C22.2 No. 141

APPLICATIONS

- > Power Plants
- > Heavy Industrials Storage Facility
- > Wastewater Treatment Plants
- > Chemical Processing Facility
- > Petrochemical Processing Facility
- > Paper Mills
- > Platforms
- > Shipyards
- > Loading Docks

LUMENOUS OUTPUT

WATTAGE (W)	40W	60W	80W	100W	150W	200W
LUMENS (Lm)	5,400 Lm	8,100 Lm	10,800 Lm	13,500 Lm	20,250 Lm	27,000 Lm

BRIGADIER ORDERING INFORMATION

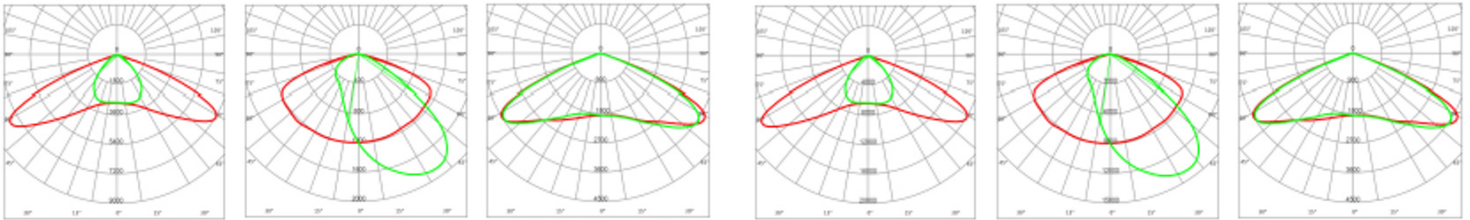
SAMPLE ORDER NUMBER: BRI-40-1-3-T32003-2-X-2-5

SERIES	WATTAGE	VOLTAGE	CCT	OPTICAL	CRI	ACCESSORIES	MOUNTING	WARRANTY
BRI	4- 40W	1- 120-277V	1- 3000K	See Photometrics Codes on the following page	1- 70	X- None	1- Trunnion Mount	5- 5 Year
	6- 60W	2- 277-480V	2- 4000K		2- 80	1- 3/4" NPT	2- Ceiling Mount	10- 10 Year
	8- 80W		3- 5000K		3- 90	2S- Wire Guard 30-100W	3- Pendant Mount	
	10- 100W		R- Red			2L- Wire Guard 120-240W	4- Wall Mount	
	15- 150W		G- Green				5- 25° Stanchion Mount	
	20- 200W		B- Blue				6- 90° Stanchion Mount	
			A- Amber					

BRIGADIER Series LED

PHOTOMETRICS

120W-240W beam angle



T13801 (type I)

T13803 (type III)

T13805 (type V)

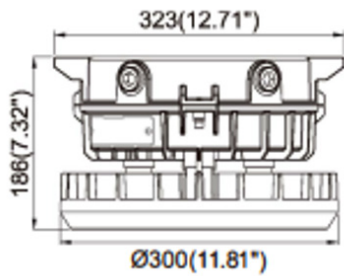
T32001 (type I)

T32003 (type III)

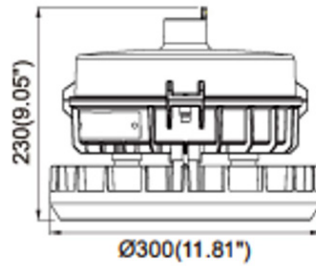
T32005 (type V)

MOUNTING DIMENSIONS

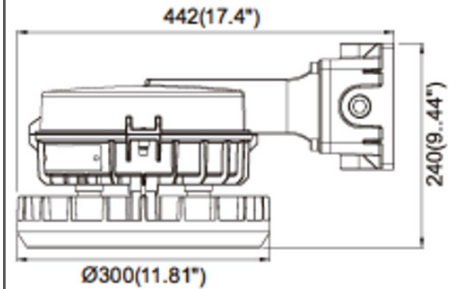
> Ceiling Mount



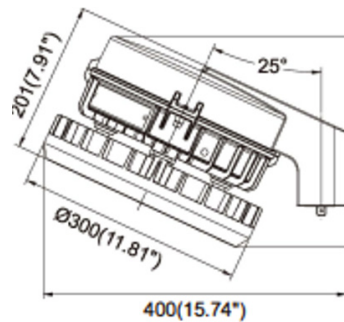
> Pendant Mount



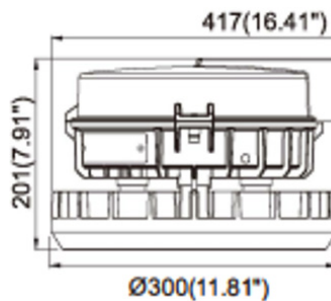
> Wall Bracket



> 25° Stanchion Mount



> 90° Stanchion Mount



> Trunnion Mount

