

SHIELD Series LED



PROJECT NAME	
CATALOG #	
NOTES	

APPLICATIONS

- > Power Plants
- > Paper Mills
- > Mining
- > Ocean Marine
- > LNG facilities
- > Metal Industry
- > Food and distilling
- > Heavy Industrials Storage Facility
- > Wastewater Treatment Plants
- > Loading Docks / Platforms / Shipyards
- > Chemical Processing Facility
- > Petrochemical Processing Facility
- > Food and distilling
- > Alcohol Industry

COMPLIANCE

UL 844 Hazardous Locations North America

- > Class I, Division 2, Groups A, B, C, D
- > Class II, Division 1, Groups E, F, G
- > Class II, Division 2, Groups F, G
- > Class III

Other Ratings

- > NEMA 4X, IP66, IK10, UL1598A Marine Vessels, UL924 Emergency Lighting

FEATURES

- > Heavy-duty and high impact resistance
- > Four connection cable entry points
- > Dimmable and non-dimmable options available.
- > Emergency battery backup available with integrated junction box for driver.
- > Tempered glass lens standard with opal globe and guard.
Options include:
 - Flat Glass Lens
 - Dome Reflector
 - Angle Reflector
- > Standard 120-277V, Available options include:
 - 12-36VDC
- > Operating Temperature: -20°C - 60°C (-4°F - 140°F)
- > Housing: Copper Free A383 Die Cast Aluminum
- > Gasketing: Fluorosilicone Rubber
- > Hardware: Stainless Steel 304
- > Finish: Polyester Powder coat
- > Lens: Tempered Glass
- > LED Chips: Philips
- > Driver: Meanwell
- > Surge Protection: 10KV
- > Expected Life: Over 85,000 hrs.
- > Color Rendering Index (CRI): 70



BAA and TAA available. Contact factory for more information and pricing.

TECHNICAL DATA & DIMENSIONS

MODEL	WATTAGE	OPERATING VOLTAGE	TOTAL LUMENS	EFFICACY (Lm/W)	CRI	CCT	DIMENSIONS
SHI-1	10W	AC 120-277V	1,400	140	>70	2200K-7000K	13.08" x 8.98" x 5.71"
SHI-2	20W	AC 120-277V	2,800	140	>70	2200K-7000K	
SHI-3	30W	AC 120-277V	4,200	140	>70	2200K-7000K	
SHI-4	40W	AC 120-277V	5,600	140	>70	2200K-7000K	

SHIELD ORDERING INFORMATION

SAMPLE ORDER NUMBER: SHI-2-1-3-1-1-1-3-OPEB

SERIES	WATTAGE	VOLTAGE	CCT	OPTIC	DRIVER	WARRANTY	OPTIONS	MOUNTING/ACCESSORIES
SHI	1- 10W	1- AC120-277V	1- 3000K	1- 120°	1- 0-10V Dim	5- 5 Year	X- None	X- None
	2- 20W	2- 12-36VDC	2- 4000K	2- 90°	2- Non-Dim	10- 10 Year	1- Flat Glass Lens	OPEM- Junction Box
	3- 30W		3- 5000K	3- 60°			2- Clear Globe	OPCM- Ceiling/Surface Mount Junction Box ^{3/4"} NPT
	4- 40W		4- 6000K	4- 40°			3- Frosted Globe	OPWA- 90° Wall Mount
							4- Wire Guard	
							5- Clear Globe w/ Wire Guard	
							6- Frosted Globe w/ Wire Guard	
							7- Dome Reflector	
							8- Angle Reflector	
							9- Buy American Act Compliant	
							10- Trade Agreements Act Compliant	

SHIELD Series LED

MOUNTING ACCESSORIES



> Ceiling Mount
(Shown on fixture)



> Wall Mount
(Shown on fixture)



> Ceiling/Wall Mount



> Ceiling/Wall
(Interior)



> Pendant Mount



> Wall Elbow



> Reflector



> Extension



> Globe



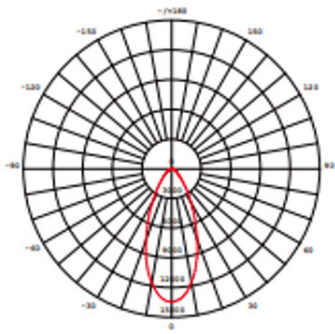
> Guard



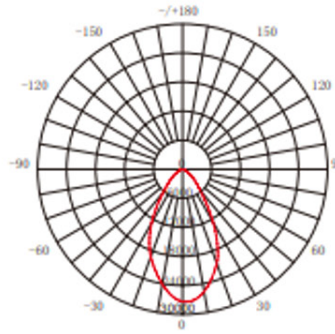
> Heat Sink

SHIELD Series LED

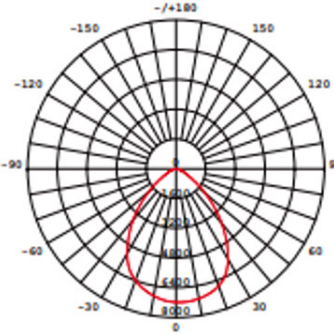
PHOTOMETRICS



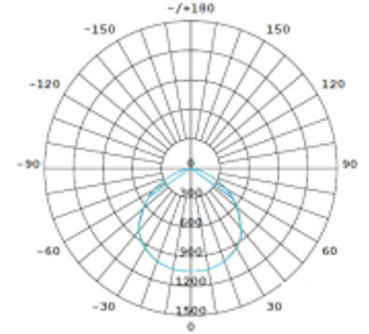
Beam angle: 40°



Beam angle: 60°



Beam angle: 90°



Beam angle: 120°

Center Beam fc	Beam Width	
3m	17fc	9m
6m	6fc	18m
10m	4fc	27m
13m	2fc	36m
16m	1fc	45m

■ Vert. Spread: 120°
■ Horiz. Spread: 120°

40W/120D

Center Beam fc	Beam Width	
3m	24fc	9m
6m	7fc	18m
10m	6fc	27m
13m	3fc	36m
16m	1fc	45m

■ Vert. Spread: 90°
■ Horiz. Spread: 90°

40W/90D

Center Beam fc	Beam Width	
3m	25fc	9m
6m	8fc	18m
10m	6fc	27m
13m	4fc	36m
16m	2fc	45m

■ Vert. Spread: 60°
■ Horiz. Spread: 60°

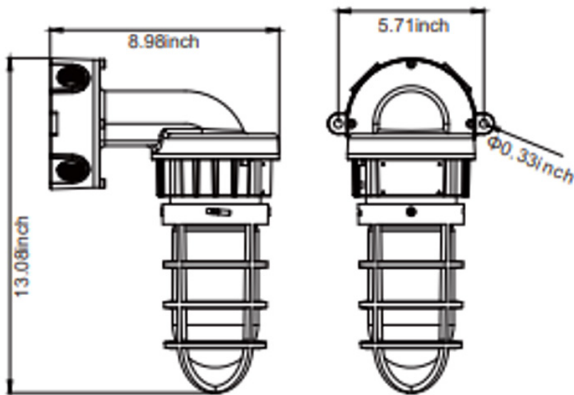
40W/60D

Center Beam fc	Beam Width	
3m	30fc	9m
6m	14fc	18m
10m	8fc	27m
13m	5fc	36m
16m	2.5fc	45m

■ Vert. Spread: 40°
■ Horiz. Spread: 40°

40W/40D

DIMENSIONS



> Please contact our customer service at 920.287.3840 for specific weight and dimensions for mounting accessories and fixture configurations.