

Wall Pack LED



TYPICAL APPLICATIONS

- > Perfect for exterior or interior lighting, this wall pack will provide enough lighting without sacrificing efficiency.



DESCRIPTION

Designed with efficiency in mind, the Wall Pack LED has a unique funnel heat sink for better heat dissipation and longer fixture lifetime. The sloped design allows for rain and other elements to pass through the heat sink, keeping it clean. The separated LED driver and light source allows for easy installation. The Wall Pack LED is IP65 rated (suitable for wet and damp locations) and Dark Sky Compliant. Added features of this LED include the pre-installed photocell with shield, twist lock photo eye, and caulk.

FEATURES

- > Unique funnel heat sink for better heat dissipation
- > Factory-installed twist lock photo eye, photocell & photocell shield ship with product
- > Installation caulk included with product
- > Separate LED driver and light source
- > Dark Sky compliant
- > UL1598 Listed



Photocell Shield

Wall Pack LED

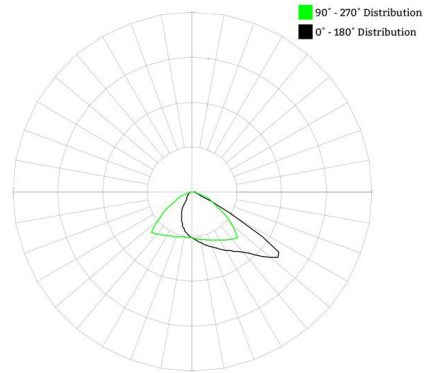


SPECIFICATIONS

Power Factor.....>0.9
 Input Voltage120/277V
 Performance.....Up to 107 lm/W
 Calculated Lifetime>76,000 Hours
 Operational Temperature.....-40°F to 122°F (-40°C to 50°C)
 Color Rendering Index>80
 Distribution..... Type III, Short
 Mount Type..... Wall Mount
 Available Wattages..... 24W, 48W, 80W, 100W
 Available Color Temperatures..... 5000K

DISTRIBUTION

The light distribution curve shows you how the light will react within a space. In the chart below, the horizontal center line of the graph is the ceiling, and the colored charted lines are how the light will react from the ceiling to the floor for a certain distribution.



LUMINOUS OUTPUT

Wattage	5000K
24W	2527 lm
48W	4575 lm
80W	8432 lm
100W	12831 lm

ORDERING INFORMATION

SAMPLE ORDER NUMBER: EPM-WP-048-50-3S-1-BZ

Manufacturer	Series	Wattage	Color Temp.	Optic Distribution	Input Voltage	Color
EPM - ePOWER Manufacturing	WP - Wall Pack	024 - 24W 048 - 48W 080 - 80W 100 - 100W	50 - 5000K	3S - Type III/Short	1 - 120/277V	BZ - Bronze
EPM	WP		50	3S	1	BZ

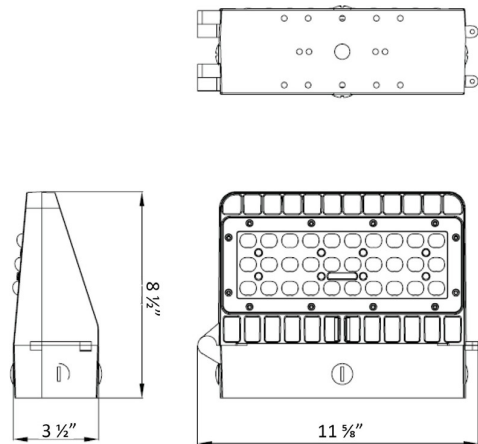
*Fixture cord not included – see Cord Spec Sheet on page 4 for ordering information.

Wall Pack LED

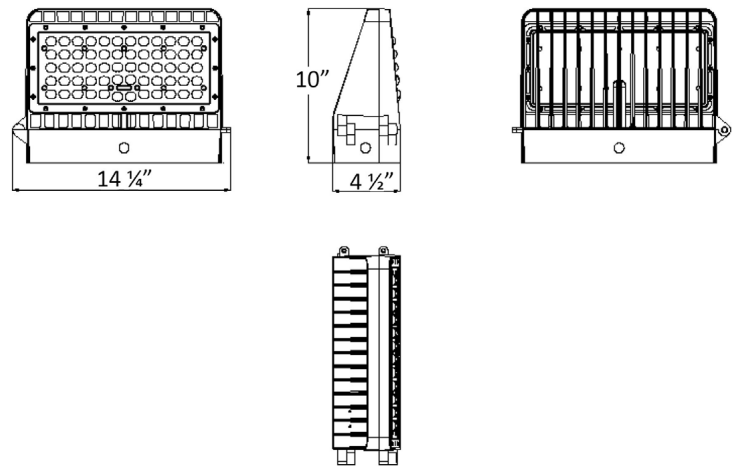


DIMENSIONS

24W & 48W Wall Packs



80W & 120W Wall Packs



Power Cords



DESCRIPTION

You have selected your new LED light fixture, now pair it with the ideal cord! Have your new LED come with the cord hardwired in on one end. For the opposite end of the cord, select a straight blade plug, twist lock plug, or leave as a whip end. Finish customizing your cord with the voltage and length needed.

FEATURES

- > Choose a whip, straight blade or twist lock cord
- > Hardwired connection to the fixture
- > Lengths- 6ft or 12 ft; contact us for a custom length
- > Warranty details can be found at www.tactiklighting.com

POWER CORD OPTIONS

Series	Fixture Disconnect	Voltage	Plug Amp Rating	Plug Attachment Type	Length
PC - Power Cord	HW - Factory Installed Hardwire Cord	125 - 125V 250 - 250V 277 - 277V 480 - 480V 600 - 600V	15 - 15 Amps 20 - 20 Amps	SB - Straight Blade TL - Twist Lock	6 - 6 Feet 12 - 12 Feet
PC	HW				

POWER CORD WHIP OPTIONS

Series	Fixture Disconnect	Voltage	Whip	Length
PC - Power Cord	HW - Factory Installed Hardwire Cord	300 - 300V 600 - 600V	W - Whip	6 - 6 Feet 12 - 12 Feet
PC	HW		W	