

# BRIGADIER Series LED



PROJECT NAME	
CATALOG #	
NOTES	

## FEATURES

- > Available in 30W, 50W, 75W, 100W, 120W; 150W, 180W, 200W, 240W
- > IP66 and IK08 double protection, with super reliability
- > Input Voltage: AC120-277V, AC277-480V (50/60Hz)
- > 1-10V dimmable and DALI control optional.
- > Pendant, Ceiling, Wall, Trunnion, 25° Stanchion and 90° Stanchion mounting options
- > Warm White-Cool White options 2000K - 6500K
- > Colored LED available: R/G/B/AMBER options
- > Wildlife Friendly for coastal areas.
- > Type I, III and V light distribution options
- > The max operating ambient temperature range: -40°C to 65°C
  - 50/75/100W: -40° to +60°
  - 30/120W: -40° to +65°
  - 150W: -40° to +55°
  - 180/200/240W: -40° to +45°
- > Optional stainless steel guard
- > Flip-type structure for easy access to internal components provides up to 1,350lm illumination for 90 minutes of emergency lighting (em battery back up only available for 50W).
- > Well-organized terminal block, the ceiling mounting, bracket mounting and wall mounting are equipped with four conduit holes.
- > Easy wiring with self-locking spring terminals.
- > Equipped with low copper aluminum alloy body and special powder coating, as well as stainless steel components with special anti-corrosion treatment make it suitable for marine environments for over 10 years.
- > LED chips are separated from the driver cavity, ensures good heat dissipation and longer service life.

## APPLICATIONS

- > Power Plants
- > Heavy Industrials Storage Facility
- > Paper Mills
- > Wastewater Treatment Plants
- > Loading Docks
- > Platforms
- > Shipyards
- > Chemical Processing Facility
- > Petrochemical Processing Facility

## CERTIFICATIONS AND LISTINGS UL:

- > Class I, Division 2, Groups A, B, C, D
- > Class II, Division 1, Groups E, F, G
- > Class II, Division 2, Groups F, G
- > Class III
- > NEMA 4X
- > UL 1598 - Wet Locations || UL 1598A - Marine || UL 8750 - LED Safety || UL 844 - Hazardous Locations CSA Standard || UL924 - Emergency Lighting
- > CSA C22.2 No. 137
- > CSA C22.2 No. 250.0
- > CSA C22.2 No. 141

## LUMEN OUTPUT

Wattage (W)	30W	50W	75W	100W	120W	150W	180W	200W	240W
Lumens (Lm)	4,050 Lm	6,750 Lm	10,125 Lm	13,500 Lm	16,200 Lm	20,250 Lm	24,300 Lm	27,000 Lm	32,400 Lm

# BRIGADIER Series LED

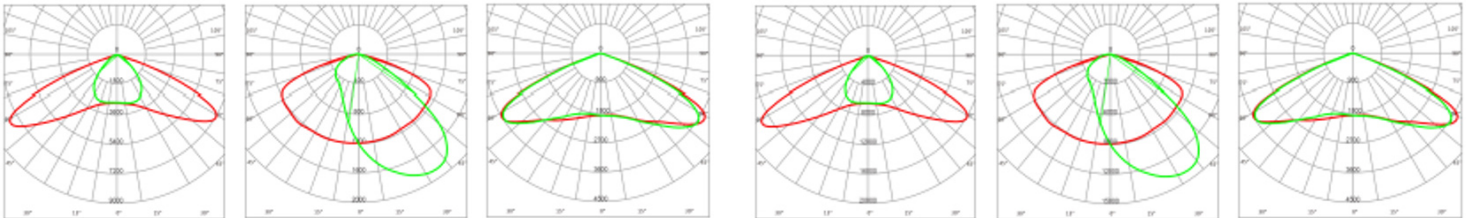
## BRIGADIER ORDERING INFORMATION

SAMPLE ORDER NUMBER: BRI-20-1-3-T32003-2-X-2-5

SERIES	WATTAGE	VOLTAGE	CCT	OPTICAL	CRI	ACCESSORIES	MOUNTING	WARRANTY
BRI	3- 30W	1- 120-277V	1- 3000K	See Photometrics Codes Below	1- 70	X- None	1- Trunnion Mount	5- 5 Year
	5- 50W	2- 277-480V	2- 4000K		2- 80	1- 3/4" NPT	2- Ceiling Mount	10- 10 Year
	7- 75W		3- 5000K		3- 90	2S- Wire Guard 30-100W	3- Pendant Mount	
	10- 100W		R- Red			2L- Wire Guard 120-240W	4- Wall Mount	
	12- 120W		G- Green				5- 25° Stanchion Mount	
	15- 150W		B- Blue				6- 90° Stanchion Mount	
	18- 180W		A- Amber					
	20- 200W							
	24- 240W							

## PHOTOMETRICS

### 120W-240W beam angle



T13801 (type I)

T13803 (type III)

T13805 (type V)

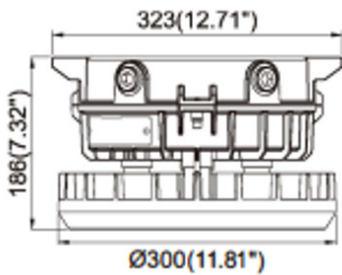
T32001 (type I)

T32003 (type III)

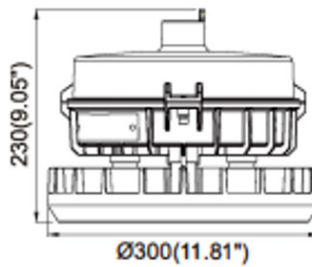
T32005 (type V)

## MOUNTING DIMENSIONS

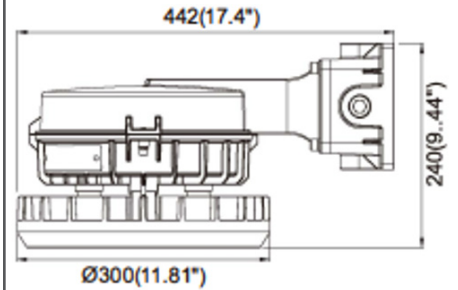
### > Ceiling Mount



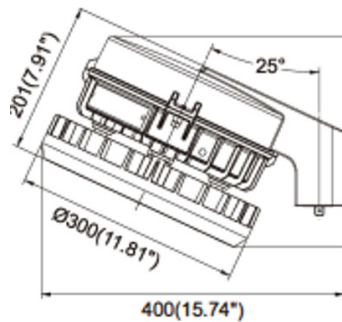
### > Pendant Mount



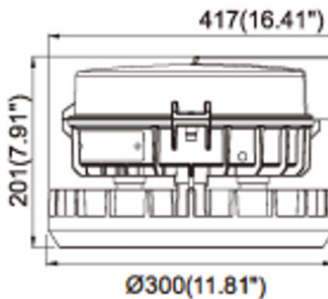
### > Wall Bracket



### > 25° Stanchion Mount



### > 90° Stanchion Mount



### > Trunnion Mount

