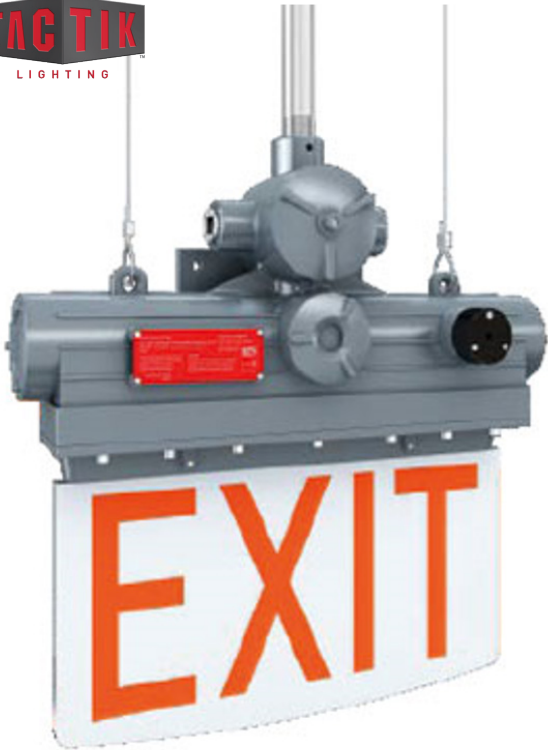


EVAC Series LED



PROJECT NAME	
CATALOG #	
NOTES	

FEATURES

- > High durability and reliability
- > Label content customizable
- > Low working wattage for energy saving
- > 3/4" NPT or M25 conduit hubs
- > Pendant, wall and end bracket mounts provide universal installation options. Glass sign panel makes cleaning easy
- > Long lifespan: Up to 50,000 hours
- > Operating Temperature: -40°F to 140°F
- > Emergency Battery included (90 minutes)

MATERIALS

- > Housing: A356T6 Aluminum with baked epoxy finish
- > Sign Panel: Tempered Glass (Transparent)
- > Letters: Red (std) or Green
- > Weight: 13.23LBS.
- > Gasket: One-piece Silicone
- > Hardware: Stainless Steel (including hangers)

RATINGS/CLASSIFICATIONS

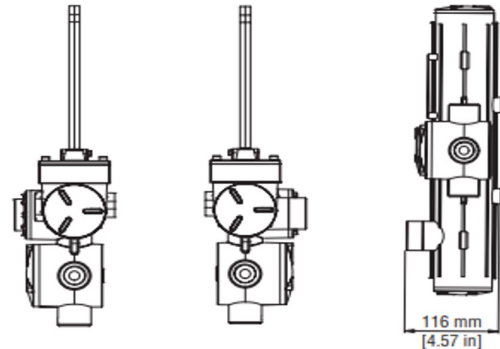
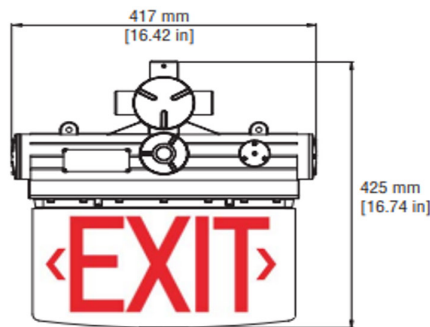
- > Marking UL844
- > Class I, Division 1, Groups B, C, D
- > Class I, Division 2, Groups A, B, C, D
- > Class II, Division 1, Groups E, F, G
- > Class II, Division 2, Groups F, G
- > Class III
- > Marking Marine UL924
- > Other: Wet Location

APPLICATIONS

- > Power Plants / Heavy Industrials
- > Distillery, Alcohol
- > Paper Mills / Wastewater Treatment Plants
- > Loading Docks / Platforms / Shipyards
- > Chemical Processing Facility
- > Petrochemical Processing Facility
- > Mining
- > Ocean Marine
- > LNG facilities

DIMENSIONS

Length	16.42"
Width	4.57"
Height	16.74"



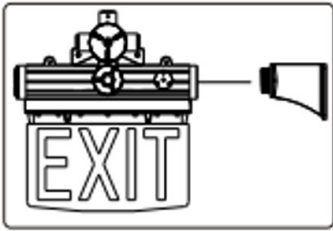
EVAC ORDERING INFORMATION

SAMPLE ORDER NUMBER: EVA-3-1-1-2

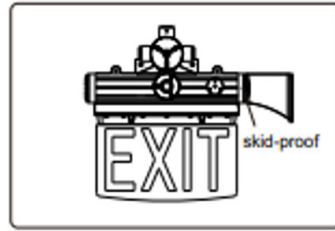
SERIES	WATTAGE	LETTERS	VOLTAGE	OPTIONS
EVA	3- 3W	1- Red	1- 120-277V	1- Wall Mount
	5- 5W	2- Green		2- Pendant Mount

EVAC Series LED

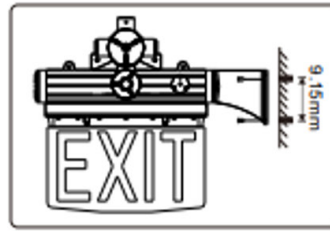
WALL MOUNTING WITH ARM



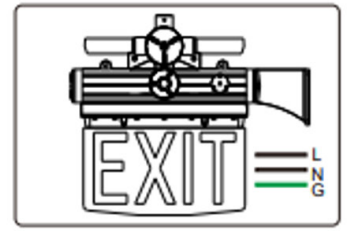
1. Tighten the arm to the fixture.



2. Tighten the screw of skid-proof.



3. Drill 2 holes (ø10mm) for arm.

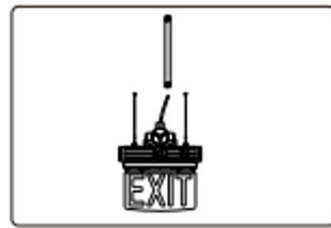


4. Wiring the cable as white to L, black to N, green to G.

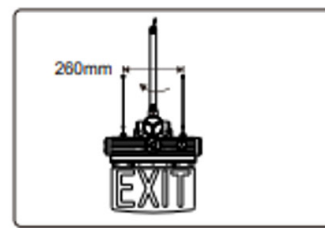
PENDANT MOUNTING



1. Tighten the arm to the fixture.



2. Install the cable through the pole.



3. Drill 2X holes (ø10mm) for metal wires and tighten the screw of skid-proof



4. Install the fixture to junction box. Wiring the cable as white to L, black to N, green to G.

MOUNTING

- > **STANDARD MOUNT**
(surface/wall mount bracket)



- > **PENDANT MOUNT**

